



REPTILE EGG INCUBATOR



23L & 49L Models Instruction Manual

Content

Page 2. Safety Information

Page 5. Description of Appliance

Page 6. Use and Maintenance

Page 10. Warranty Details

Page 13. Contact Details and Technical Data

Thank you for choosing the WhitePython® Reptile Egg Incubator.

For your safety and to ensure proper use of the appliance, please read this manual carefully, including all hints and warnings. To prevent accidents and mistakes, it is crucial that everyone who will be using the appliance is thoroughly familiar with its operation and safety features.

Please save this manual and keep it with the appliance if it is moved or sold. This will ensure that anyone who uses the appliance is aware of its usage and safety guidelines.

To protect the safety of people and property, please follow the precautions in this user manual. The manufacturer will not be held responsible for any damage caused by negligence.

Important Safety Instructions

Safety for Children and Vulnerable People

- This appliance can be used by children of a suitable age, people with reduced physical, sensory, or mental capabilities or lack of experience and knowledge if they have been given supervision or instruction concerning the safe use of the appliance and understand the hazards involved.
- Do not allow children to play with the appliance.
- User cleaning and maintenance should not be carried out by children unless they are more than 12 years old and are supervised.
- Keep all packaging materials out of the reach of children as there is a risk of suffocation.
- If you decide to dispose of the appliance, disconnect it from the power outlet, cut the power cord as close to the appliance as possible, and remove the door to prevent children from playing with it and risk of electric shock or entrapment.

- Dispose of unit safely, ensure children are unable to become trapped by removing the magnetic door seal.
- Keep the appliance and its power cord out of the reach of young children.
- Keep power cords secured and away from young children to prevent risk of strangulation.

General Safety

- This appliance is designed for household use only.
- Do not store flammable materials, such as aerosols, inside the appliance as they could leak or release fluids.
- If the power cord is damaged, it must be immediately replaced by the manufacturer or a qualified technician to avoid the risk of electric shock.
- Keep the ventilation openings clear to ensure proper air circulation, especially if the appliance is recessed into a wall.
- Do not use other electrical appliances inside the appliance unless they are recommended or approved of by WhitePython®.

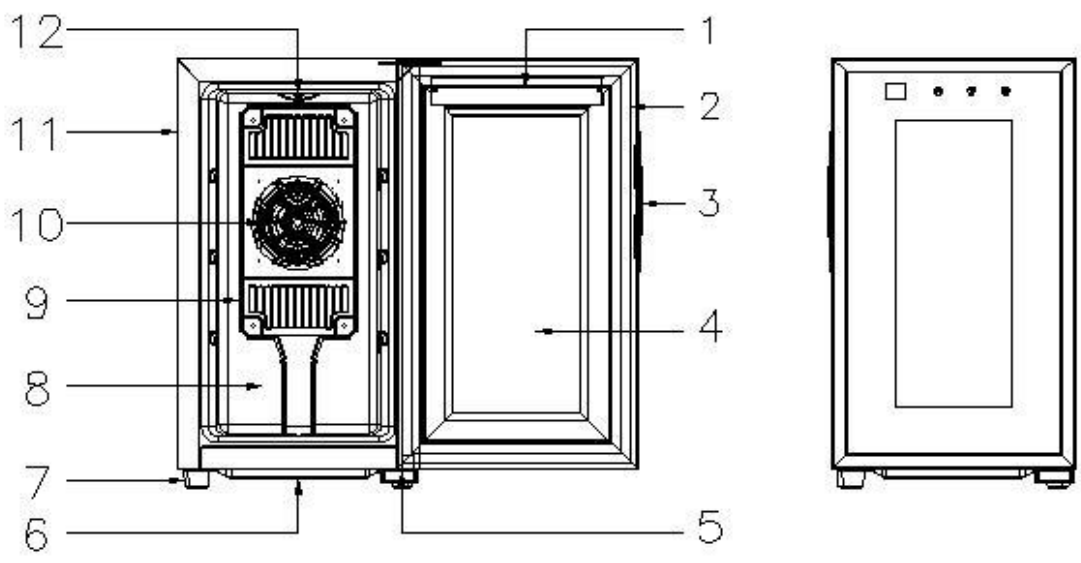
Electrical Safety

- We do not take responsibility for incidents caused by improper electrical installation, or power surges.
- Do not use outside.
- Do not extend the power cord. Do not use an extension cord, adapter, or multi-outlet strip.
- Ensure that the wall socket/outlet is not damaged.
- Ensure that the wall socket/outlet used for the appliance is easily accessible.
- Never pull on the power cord to unplug the appliance.
- Always ensure that the appliance is properly grounded.
- Do not connect the appliance to a loose wall socket/outlet as there is a risk of electric shock or fire.
- Do not use the appliance if the interior light cover is not installed.
- Disconnect the appliance before replacing the light bulb.

- The appliance operates on a single-phase 220~240 V / 50 Hz power supply. The appliance must be connected to an earthed socket/outlet.
- Do not attempt to repair a damaged power cord. Contact your after-sales service.
- The power outlet must be easily accessible but out of reach of children.

If you have any doubts, contact WhitePython® or a qualified technician.

Description of appliance



- 1. Control board
- 2. Door seal
- 3. Integrated handle
- 4. Door glass
- 5. Lower hinge
- 6. Water tray
- 7. Adjustable feet
- 8. Inner cabinet.
- 9. Fan cover
- 10. Fan
- 11. Cabinet
- 12. Light

Daily Usage

- Do not store flammable substances or liquids inside the appliance. This could cause an explosion.
- Do not use other electrical appliances inside the appliance.
- Ensure incubator is used on a level surface.
- When unplugging the appliance, grasp the plug firmly and do not pull on the cord.
- Do not expose the appliance to direct sunlight.
- Keep the appliance away from candles, lights, and open flames to prevent fire hazards.
- Do not overload the incubators shelves to prevent falling objects and damage to the appliance.
- Do not place a water tank or spill water on top of the appliance. This could damage the appliance or cause electric shock.
- For the first use, wait for at least 2 hours after plugging in and selecting a temperature before using the incubator to allow the internal temperature to stabilize.

Cleaning and Maintenance

- Before cleaning or servicing, turn off the power supply and unplug the appliance.
- Do not use metal objects, steam systems, volatile fluids, organic solvents, or abrasive substances to clean the appliance.
- It is recommended to clean the appliance once a month.
- Clean the water tray at least once every six months. To clean the water tray, lay down the appliance, remove the water tray, clean it, and re-install it.
- Do not use sharp or pointed objects to remove ice. Use a plastic scraper.
- Make sure the door seal is in the proper position after cleaning, and the door can be closed properly.

Installation

- Follow the instructions in this manual to ensure proper electrical connection.
- Unpack the appliance and check for damage. Do not connect a damaged appliance. Inform your retailer of any damage.
- Allow at least 10 cm of space at front, sides and back of the appliance for proper air circulation.
- Do not block the ventilation hole.
- Keep the appliance away from walls and hot elements to prevent fire hazards.
- This appliance is not designed to be built into cupboards and walls.
- This appliance is not suitable for freezing food.

- The appliance should not be placed in a garage, basement, or similar location. To ensure proper operation, maintain a stable ambient temperature between 15 and 30°C.
- Do not place the appliance near radiators, cooking hot plates, or gas rings.
- Ensure that electrical sockets remain accessible when the appliance is installed.
- Do not place the appliance in a wet location.
- Do not use outdoors.
- Do not spill water on the power plug or wash the appliance. This could damage the appliance and cause electric shock hazards.
- When incubating eggs, open the door for a maximum of 10 seconds every 10-15 days.

Control Panel

- The temperature can be adjusted between 10 and 40°C.
- Press ▲ to increase the temperature and ▼ to decrease the temperature.
- Press the light button to turn on or off the light. The light is off by default.
- The display will show the actual temperature inside the appliance. After selecting the desired temperature, it will take some time to reach the desired temperature. The displayed temperature will change after reaching the desired temperature.

Troubleshooting

- No cooling:
 1. Check if the power supply is not damaged.
 2. Check if the power plug is securely connected.
- Poor cooling or heating:
 1. Check if the temperature setting is too high or too low.
 2. Check if the ambient temperature is too high or ventilation is poor.
 3. Check if the door is open frequently.
 4. Check if the door is closed properly.
- Too much noise:
 1. Check if the appliance is installed on a level surface.
 2. Check if there are any objects on top of the appliance. Note: It is normal to hear noise when the appliance starts or stops working. There may be noise during operation if the appliance is placed on a wooden floor.

Additional Information

- **Water condensation on the door glass:** During wet or rainy days or in rooms with high humidity and high ambient temperature, water condensation may appear on the door glass. This is normal due to the exchange of cold and heat on the door glass. More water condensation will appear if a lower temperature is set. Increase the temperature of the appliance to reduce water condensation. Wipe it with a dry cloth if water condensation appears on the door glass.
- **Water condensation inside the appliance:** It is normal to have water condensation inside the appliance in wet or rainy days with high humidity. The water will flow to the bottom of the appliance and into the water tray via a drainage hole at the bottom of the appliance. Do not block the drainage hole!

Patented Reptile Incubator Appliance

This appliance is a patented product for incubating reptile eggs, including turtles, snakes, lizards, and insects. We reserve the right to take legal action against any infringement of our patent.

Important Notice:

- Do not use this appliance in environments with high ambient temperature or high humidity. Doing so may shorten the lifespan of the appliance and reduce its incubation performance.
- Sudden changes in ambient temperature can harm fertilized eggs. It is recommended to maintain a slow and steady change in temperature until the incubation temperature is reached. An ideal temperature difference between the ambient temperature and the eggs is around 2°C. This will help improve the incubation rate.

Features:

- This appliance effectively maintains humidity with minimal moisture loss.
- Thermoelectric automatic cooling and heating technology ensures that the desired temperature is evenly distributed throughout the appliance, creating a safe and energy-efficient environment for eggs.
- The appliance's noise level is less than 37dB, and its high-efficiency cooling and heating performance provide a safe and secure incubation environment.
- The wide incubation temperature range of 10-40°C makes this appliance suitable for incubating a variety of reptiles, including tortoises, lizards, snakes, insects, and birds.
- The automatic temperature control system provides intelligent and rapid cooling and heating with ventilation, creating a safe and consistent incubation environment.
- Double-layer anti-UV door glass protects eggs from harmful UV rays, ensuring a safe incubation environment.

Preparation for Incubation:

- For the first use or after a long period of non-use, plug in the appliance for 1-2 days to ensure it is functioning properly. If any problems are observed, stop using the appliance and your retailer or WhitePython® directly.
- Temperatures will differ slightly from top to bottom the incubator. Higher temperature closest to the set temperature will be found at the top with a slightly lower temperature at the bottom. This minor fluctuation will for the majority of clutches cause no issue. If an exact temperature is essential for your clutch, it is recommended to observe temperatures on all 3 shelves for at least 2 days. WhitePython® Digital Max Min Thermometers are ideal for this.

Cleaning and Disinfection:

- Always disconnect the power supply before cleaning the appliance.
- Clean the dust from the back of the appliance to prevent it from blocking ventilation and affecting incubation.
- Use a suitable reptile safe disinfectant to clean and disinfect the inside and outside of the appliance. Allow the appliance to dry completely before reconnecting the power supply.

Always research your species and the needs off incubated eggs first. WhitePython® accept no liability for the success or failure of eggs in this incubator.

WhitePython® Reptile Egg Incubator 5-Year Warranty

Registering Your Product Warranty

To register your warranty, please visit whitepython.com/warranty and complete the registration form. Please have your purchase invoice/receipt, the incubator's 10-digit serial number (found on the rear of the incubator at the bottom right of information panel) and the batch number (located above the barcode on the incubators packaging) to hand for registration.

Scope of Warranty

This warranty covers internal electrical components listed below that fail due to a manufacturing defect within the warranty period of five years.

- Control PCB
- Temperature sensor
- Cold heat exchange PCB
- Power PCB
- Hot fan 9225S
- Cooling system
- Cold fan 8015S

This warranty is valid for 5 years from the date of purchasing the incubator only. Should the need arise to conduct repairs or issue a replacement, the repaired or replaced unit will be covered by any remaining warranty from the date of purchase of the repaired or original incubator. Any repaired or replacement incubators will not be issued with a new 5-year warranty or any extra cover.

Warranty Coverage

For the first 12 months of the warranty, please contact your retailer to arrange any claims. After the initial 12 months, go to whitepython.com/warranty to make a claim. The customer will be responsible for shipping costs to and from WhitePython®.



Exclusions

This warranty does not cover damage or failure caused by:

- Misuse or use outside of intended design.
- Neglect or lack of regular necessary maintenance.
- Accidental damage.
- Outer casing, door seals, or any non-electrical components
- Modifications or repairs made by unauthorized personnel.
- Natural disasters, such as floods or fires.

In these cases, the warranty is void. If an incubator is sent to WhitePython® for repair and found to meet one of the above exclusions, the customer may request:

- Repairs where possible, with appropriate charges (the customer will be contacted and informed of these costs)
- Return of the unit at the customer's cost
- Disposal of the unit

Remedies

If a covered defect is found in the incubator, we will, at our option, repair or replace the defective part. If we are unable to repair or replace the defective part, a replacement incubator will be supplied.

Additional Terms and Conditions

- This warranty covers the afore mentioned parts and does not extend to or cover any eggs or livestock that may be lost due to malfunction of the unit or misuse by the consumer.

- This warranty is governed by the laws of the United Kingdom.
- This warranty is the sole and exclusive remedy for any defect in the incubator.
- WhitePython® does not accept any liability for any incidental or consequential damages arising from the use of the incubator.
- Warranty work repairs/replacements will not be offered to units not registered at whitepython.com/warranty.
- Warranty work repairs/replacements will not be offered without proof of purchase.

Contact Information:

whitepython.com/contact/

WhitePython® is registered trademark of Peregrine Livefoods Limited.

Peregrine Livefoods Ltd,
Rolls Farm Barns,
Hastingwood Road,
Magdalen Laver,
Essex,
United Kingdom,
CM5 0EN.
+44 (0)1279 438 459

Technical data

Model No.	CWI023	CWI049
Net Volume	23L	49L
Rated Voltage/Frequency	220V-240V/50Hz	220V-240V/50Hz
Rated Power	70W	70W
Temperature Range	10-40°C	10-40°C
Net Weight	8.93Kg	14Kg
Gross Weight	10Kg	17Kg
Product Dimension(W*D*H)	25.4 *52* 46.5CM	42*49*52CM
Packed Dimension(W*D*H)	29.5*56*50CM	46*53.2*55CM